

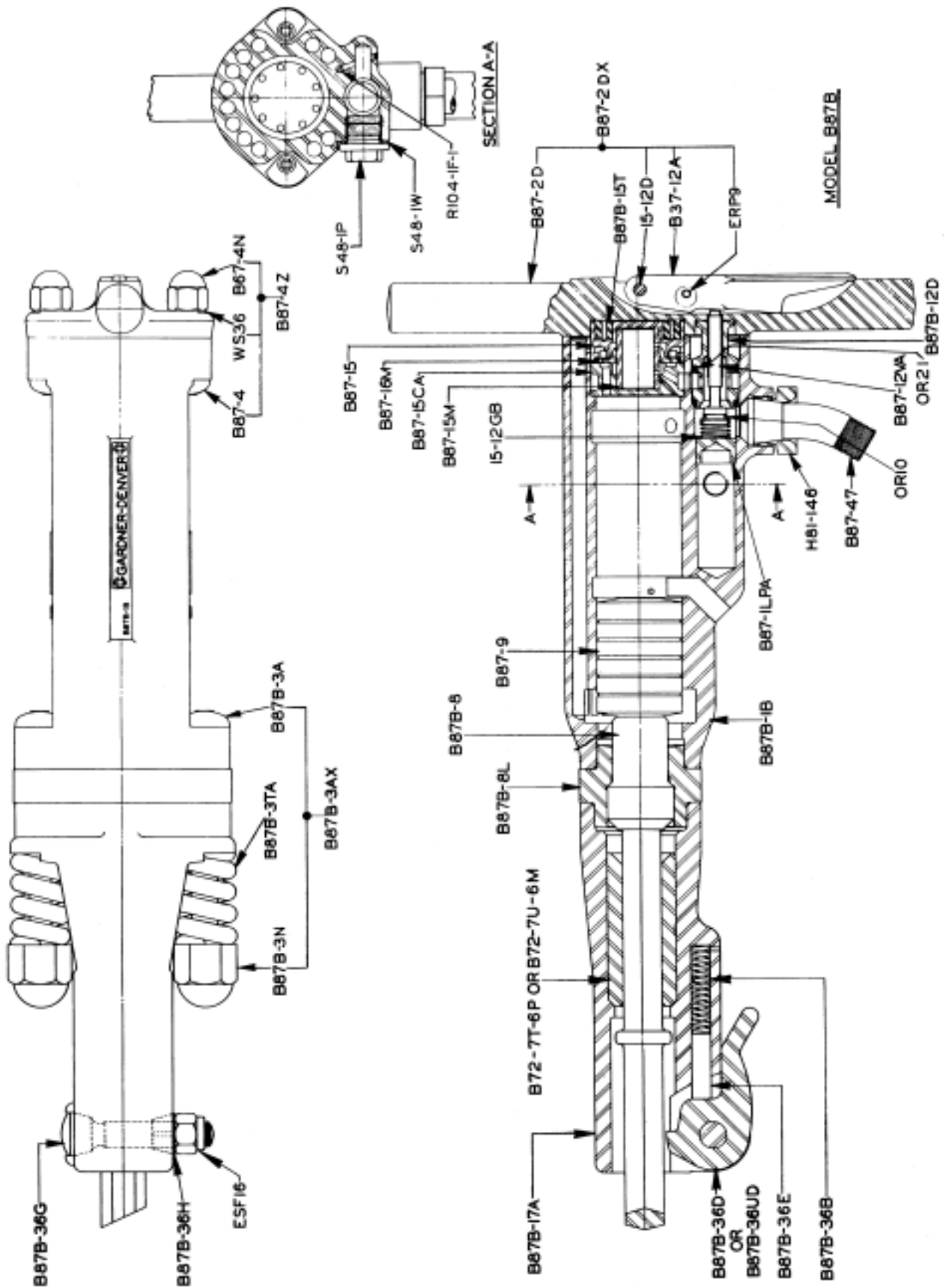


B87BS-MARTELO BATE ESTACA PNEUMÁTICO PESADO

Figura nº Figure nº	Referência nº Ordering nº	Descrição Description	Quantidade Quantify
	B87B-1B	Cylinder – inc. 87-1LPA, PP2A	1
	B87-1LPA	Lubricator plug	1
	PP2A	Port plug	1
	R104-1F-1	Metering pin	1
	S48-1P	Filler plug	1
	S48-1W	Plug washer	1
	B87-9	Hammer	1
	B87-15	Valve chest	1
	B87-15CA	Chest cover	1
	B87B-15T	Chest plug	4
	B87-15M	Valve plug	1
	B87-16M	Automatic valve	1
	B87DX	Backhead assy	1
	B87-2D	Backhead	1
	B37-12A	Throttle valve handle	1
	15-12D	Handle pin	1
	ERP9	Handle lock pin	1
	B87-12VA	Throttle valve – includes OR9	1
	OR9	O'Ring	1
	B87B-12D	Throttle valve seat – includes OR21	1
	OR21	O'Ring	2
	15-12GB	Throttle valve spring	1
	B87-47	Air connection	1
	H81-146	Connection nut	1

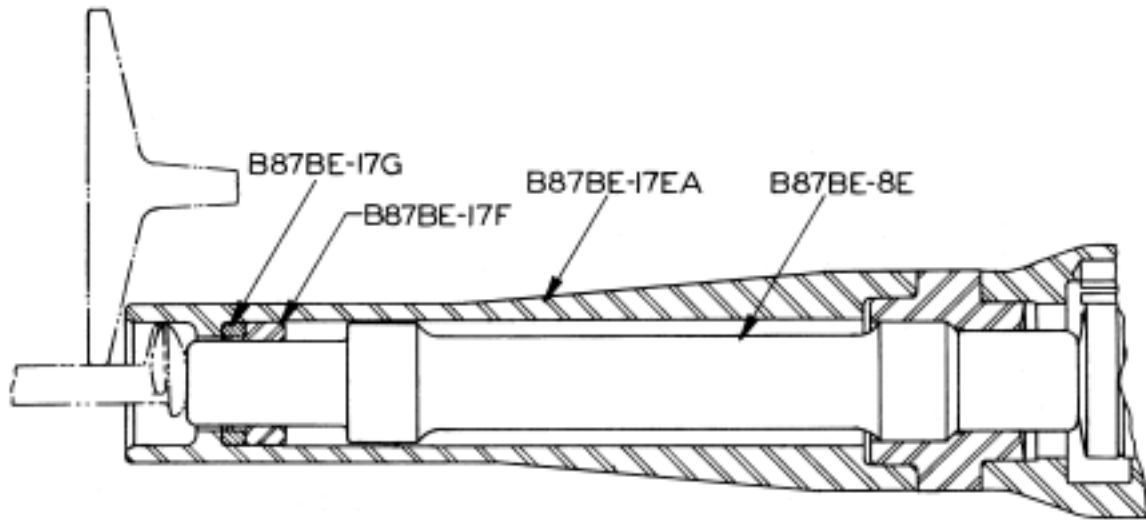


B87BS-MARTELO BATE ESTACA PNEUMÁTICO PESADO

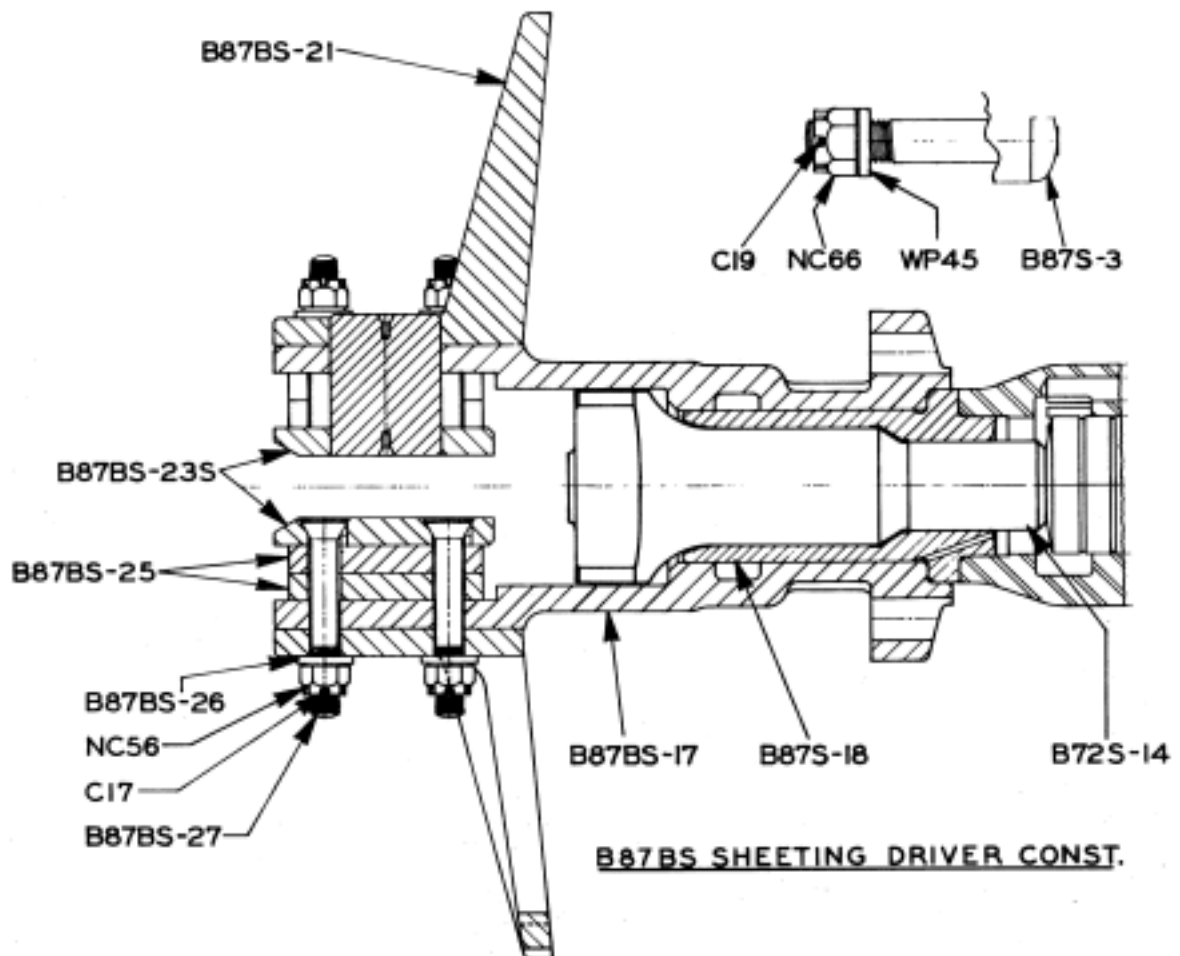




B87BS-MARTELO BATE ESTACA PNEUMÁTICO PESADO



B87BE SPIKE DRIVER CONST.



B87BS SHEETING DRIVER CONST.